



## Conventional Carbon Steel Blade Axial Fan

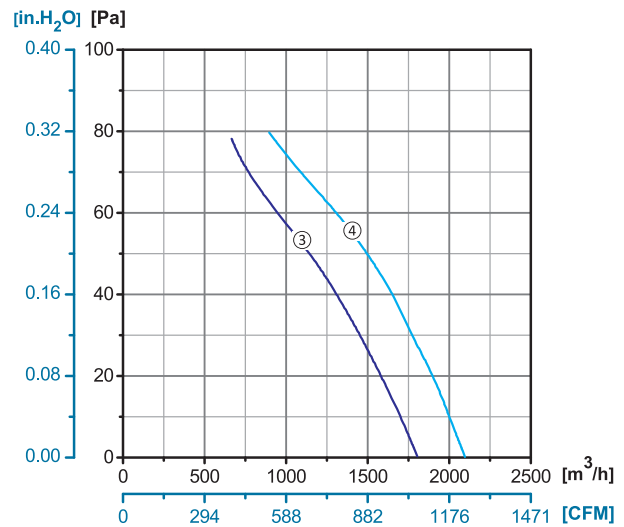
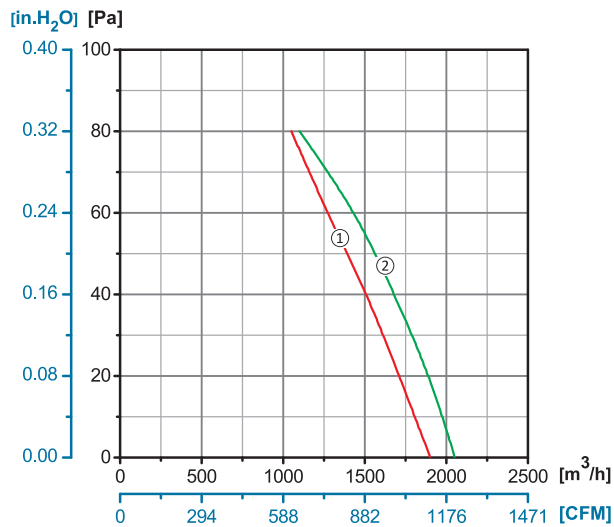
**ErP2015**  
EXCEEDS THE NORM



### Φ300

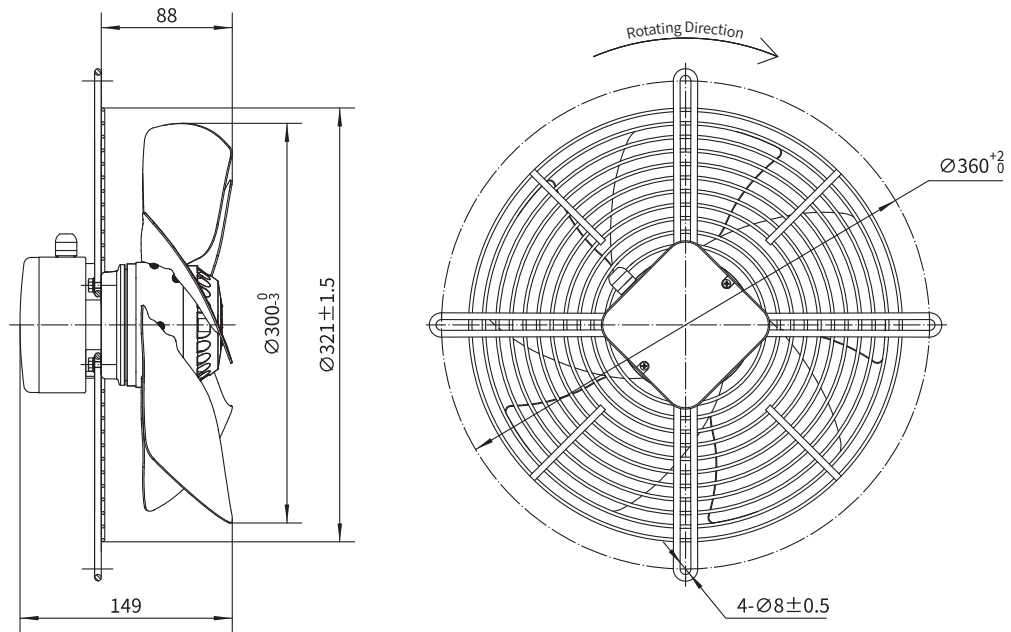
**Rotor Material:** Aluminum Die-casting  
**Impeller Material:** Carbon Steel  
**Ingress Protection:** IP44  
**Insulation Class:** F  
**Bearing Type:** Maintenance Free Ball Bearing

### Performance Curves



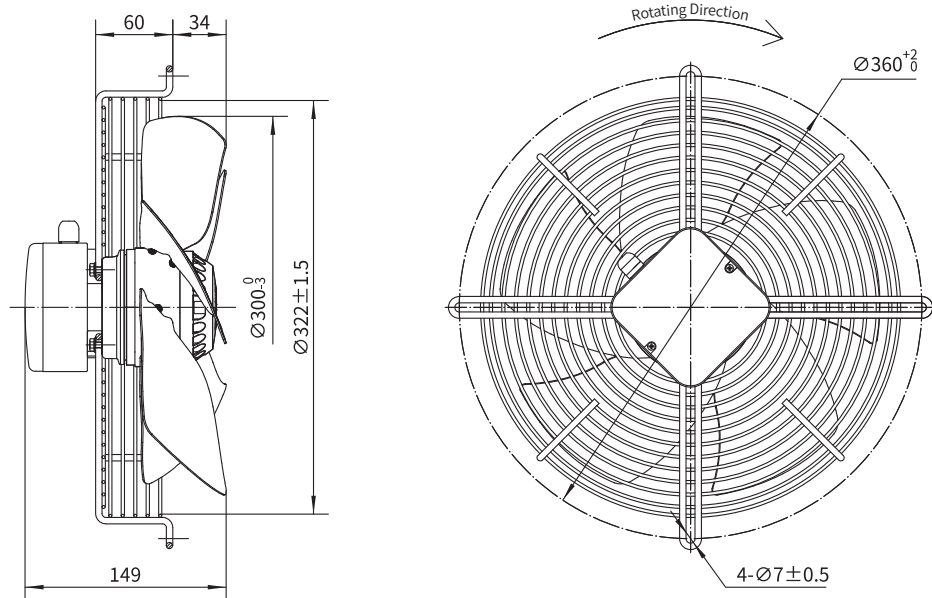
Type B	Type C	Type D	Type E	Type F0
YWF.A2S-300S-5B   A00	YWF.A2S-300S-5C   A00	YWF.A2S-300S-5D   A00	YWF.A2S-300S-5E   A00	YWF.A2S-300S-5F   A00
YWF.A4S-300S-5B   A00	YWF.A4S-300S-5C   A00	YWF.A4S-300S-5D   A00	YWF.A4S-300S-5E   A00	YWF.A4S-300S-5F   A00
YWF.A4T-300S-5B   A00	YWF.A4T-300S-5C   A00	YWF.A4T-300S-5D   A00	YWF.A4T-300S-5E   A00	YWF.A4T-300S-5F   A00
YWF.A2S-300S-5B   A05	YWF.A2S-300S-5C   A05	YWF.A2S-300S-5D   A05	YWF.A2S-300S-5E   A05	YWF.A2S-300S-5F   A05
YWF.A4S-300S-5B   A05	YWF.A4S-300S-5C   A05	YWF.A4S-300S-5D   A05	YWF.A4S-300S-5E   A05	YWF.A4S-300S-5F   A05


### Type B



Conv. Steel Blade Axial

### Type C



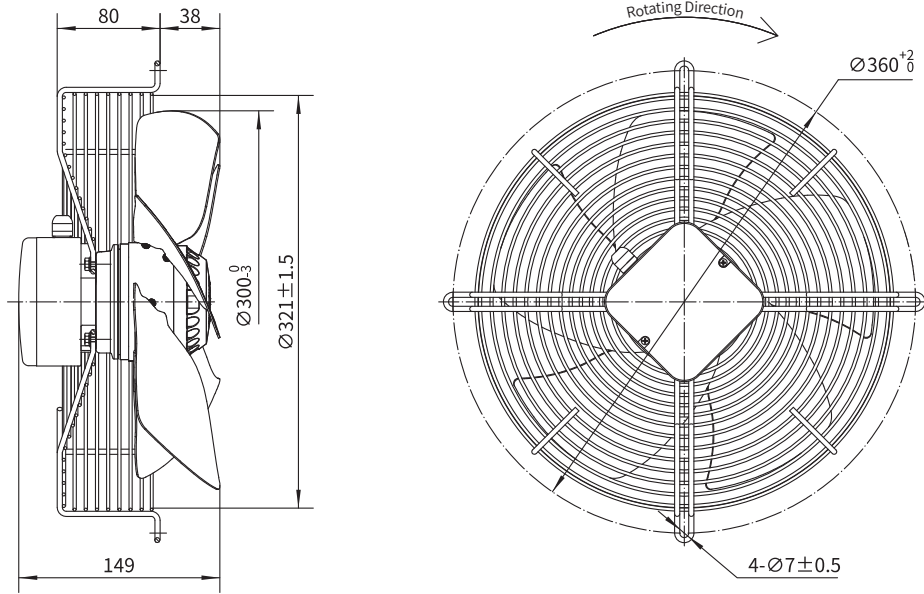
	Voltage	Frequency	Current	Power	Speed	Capacitor	Air Flow (0 Pa)	Noise	Curve	Working Temp.	Approvals
Type F1	V	Hz	A	W	RPM	µF	[m³/h]/[CFM]	dB(A)	No.	Min/Max(°C)	
/	220/230	50	0.50	110	2500	4	1900/1117	61	①	-30/+60	CCC, CE
/	220/230	60	0.70	156	2600	4	2050/1205	62	②	-30/+60	CCC, CE
/	220/230	50	0.42	90	1350	3	1800/1058	52	③	-30/+60	CCC, CE
/	220/230	60	0.48	110	1600	3	2100/1235	55	④	-30/+60	CCC, CE
/	380/400	50	0.25	90	1400	/	1850/1088	53	③	-30/+60	CCC, CE
/	380/400	60	0.23	110	1620	/	2100/1235	56	④	-30/+60	CCC, CE
/	110/120	60	1.35	155	2700	14	2100/1235	68	②	-30/+60	UL
/	110/120	60	0.78	90	1600	10	2100/1235	55	④	-30/+60	UL



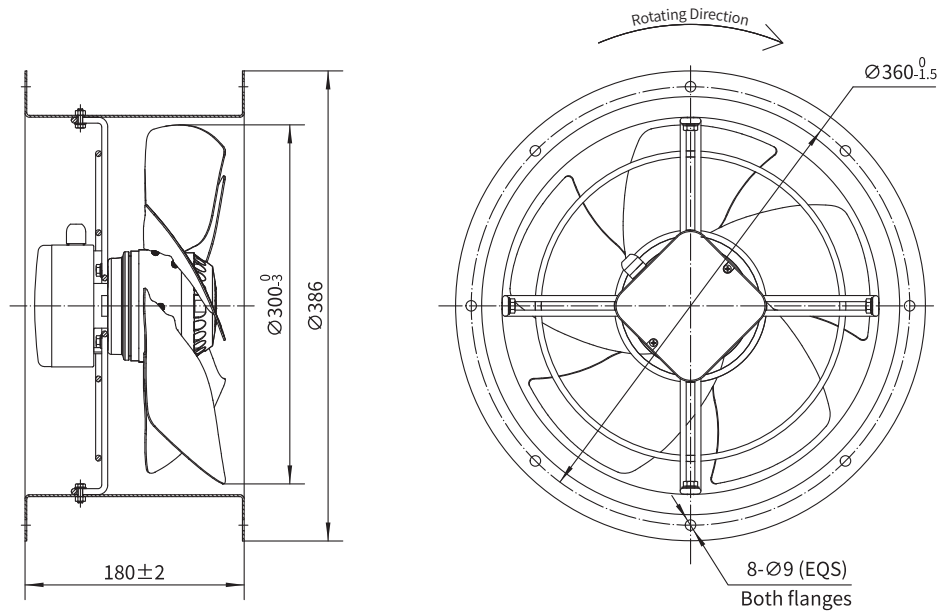
Conventional Carbon Steel Blade Axial Fan

**Φ300**

Type D



Type E

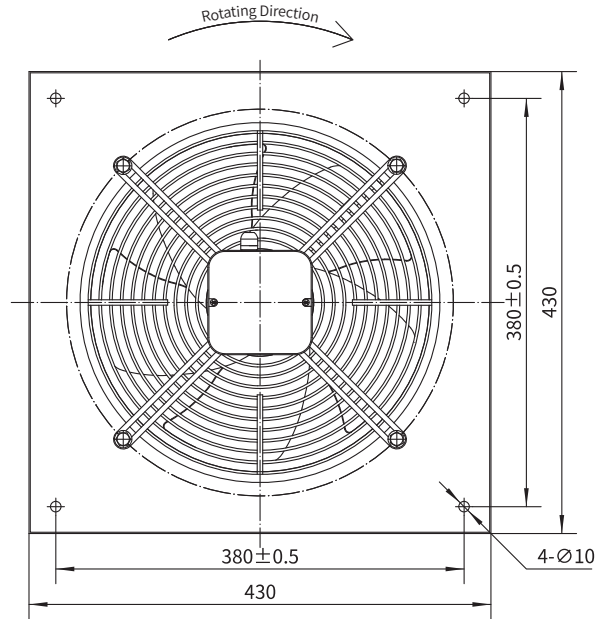
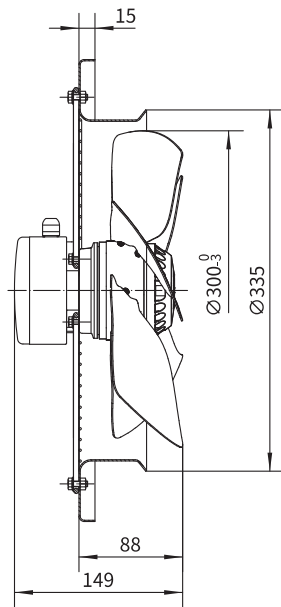




**Conventional Carbon Steel Blade Axial Fan**

**Φ300**

**Type F0**



Conv. Steel Blade Axial