



**机翼形塑料叶片轴流风机**  
**Plastic Airfoil Blade Axial Fan**

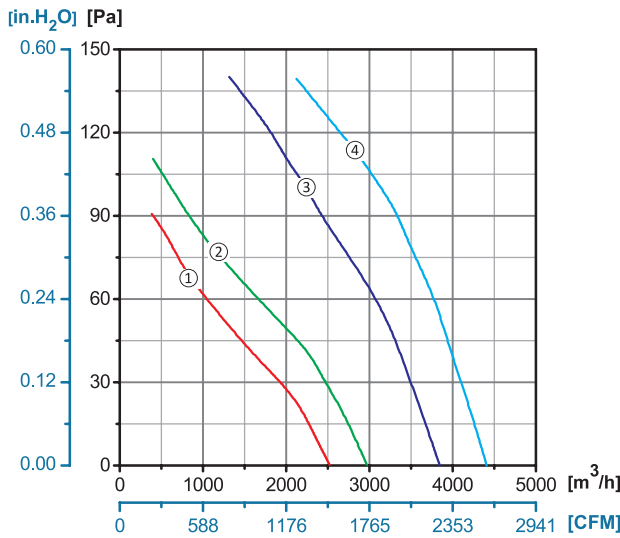
**ErP2015**  
EXCEEDS THE NORM








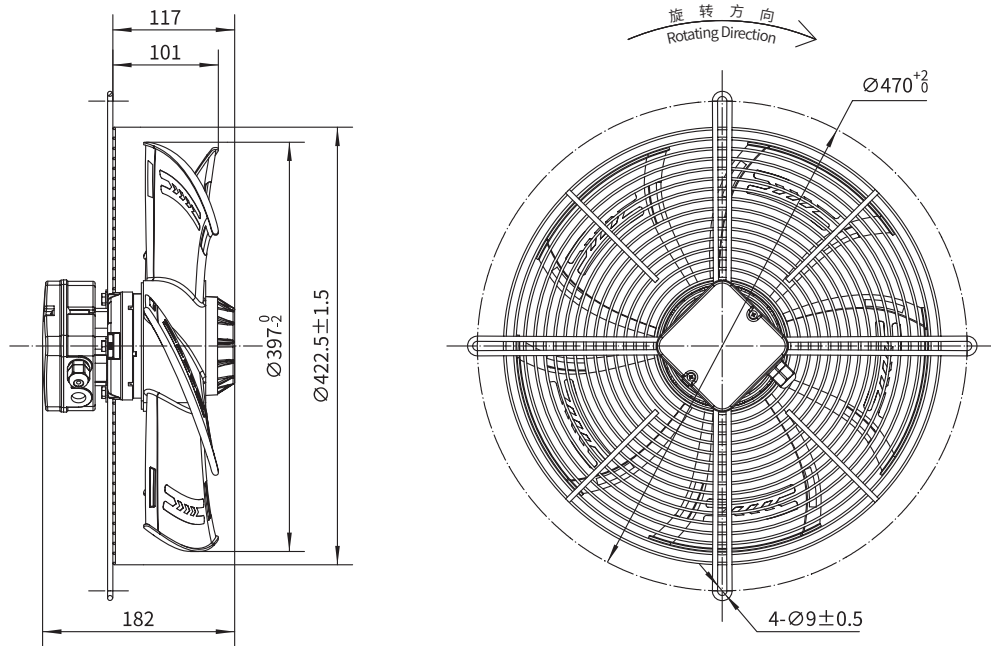
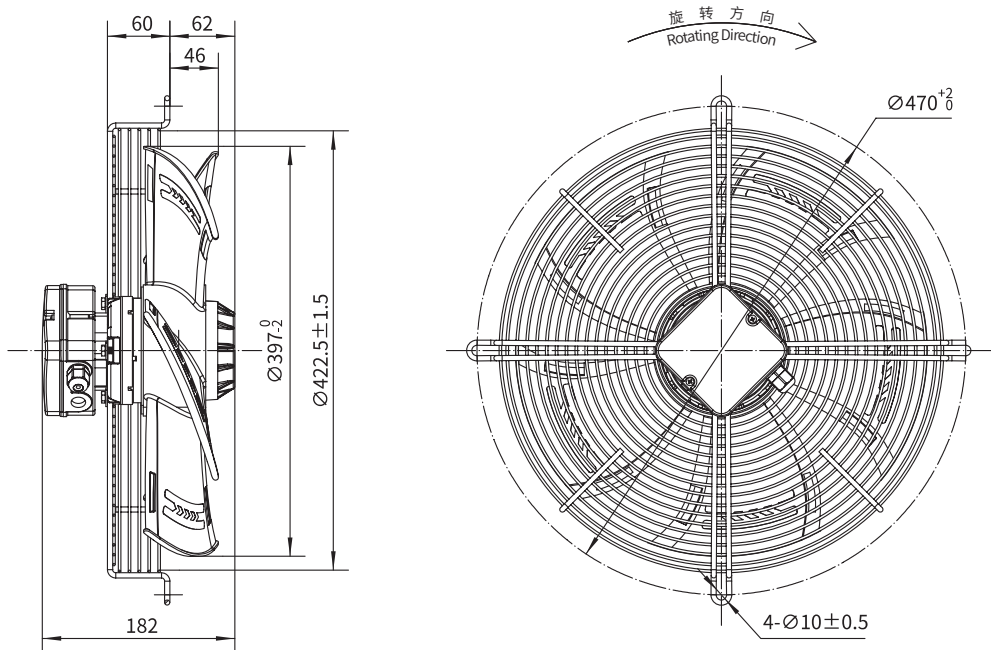
**Φ400**


转子材质 Rotor Material: 铸铝 Aluminum Die-casting  
 叶轮材质 Impeller Material: 塑料 Plastic  
 防护等级 Ingress Protection: IP54  
 绝缘等级 Insulation Class: F  
 轴承类型 Bearing Type: 免维护滚珠球轴承  
 Maintenance Free Ball Bearing

**性能曲线 Performance Curves**



 Type B	 Type C	 Type D	 Type E	 Type F0
YWF.A4S-400S-5B   AP0	YWF.A4S-400S-5C   AP0	YWF.A4S-400S-5D   AP0	YWF.A4S-400S-5E   AP0	YWF.A4S-400S-5F   AP0
YWF.A4T-400S-5B   AP0	YWF.A4T-400S-5C   AP0	YWF.A4T-400S-5D   AP0	YWF.A4T-400S-5E   AP0	YWF.A4T-400S-5F   AP0
YWF.A6S-400S-5B   AP0	YWF.A6S-400S-5C   AP0	YWF.A6S-400S-5D   AP0	YWF.A6S-400S-5E   AP0	YWF.A6S-400S-5F   AP0
YWF.A6T-400S-5B   AP0	YWF.A6T-400S-5C   AP0	YWF.A6T-400S-5D   AP0	YWF.A6T-400S-5E   AP0	YWF.A6T-400S-5F   AP0

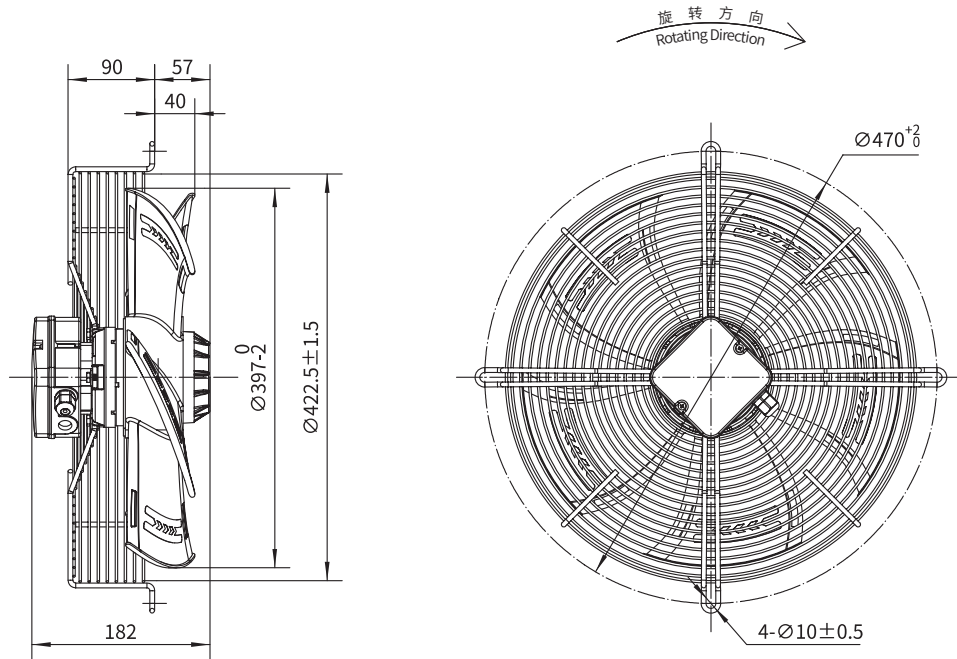
**B 型网罩 Type B**

**C 型网罩 Type C**


	电压 Voltage	频率 Frequency	电流 Current	功率 Power	转速 Speed	电容 Capacitor	风量 Air Flow (0 Pa)	噪音 Noise	曲线 Curve	运行温度 Working Temp.	认证 Approvals
Type F1	V	Hz	A	W	RPM	$\mu\text{F}$	$[\text{m}^3/\text{h}]/[\text{CFM}]$	$\text{dB(A)}$	No.	Min/Max( $^{\circ}\text{C}$ )	
/	220/230	50	0.76	170	1400	6	3780/2225	58	③	-30/+60	CCC, CE
/	220/230	60	1.07	240	1600	6	4380/2575	61	④	-30/+60	CCC, CE
/	380/400	50	0.50	160	1400	/	3850/2265	60	③	-30/+60	CCC, CE
/	380/400	60	0.50	220	1600	/	4400/2590	63	④	-30/+60	CCC, CE
/	220/230	50	0.44	95	930	4	2520/1480	52	①	-30/+60	CCC, CE
/	220/230	60	0.49	110	1100	4	2970/1745	56	②	-30/+60	CCC, CE
/	380/400	50	0.30	90	940	/	2520/1480	54	①	-30/+60	CCC, CE
/	380/400	60	0.25	95	1100	/	2950/1735	57	②	-30/+60	CCC, CE

 机翼形塑料叶片轴流风机  
Plastic Airfoil Blade Axial Fan

Φ400

D 型网罩 Type D





机翼形塑料叶片轴流风机  
Plastic Airfoil Blade Axial Fan

Φ400

F0 型面板 Type F0

