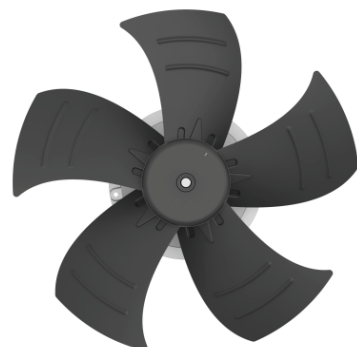


**EC Conventional Carbon Steel Blade Axial Fan**

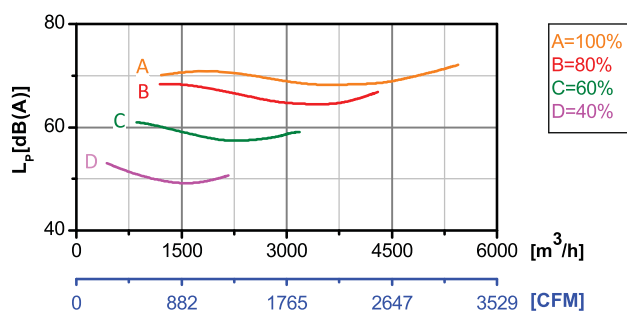
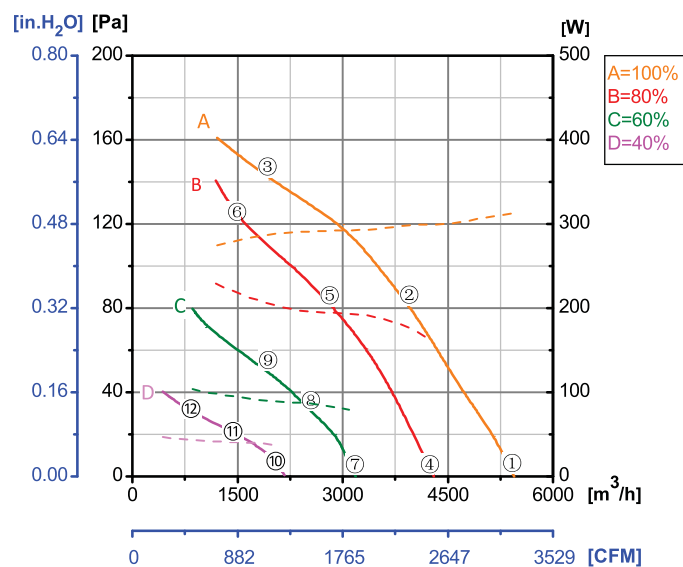
**Erp2015**  
EXCEEDS THE NORM



**Φ 400**

Rotor Material: Carbon steel  
Blade Material: Carbon steel  
Ingress Protection: IP54  
Insulation Class: F  
Bearing Type: Maintenance free ball bearing

**Performance Curves**

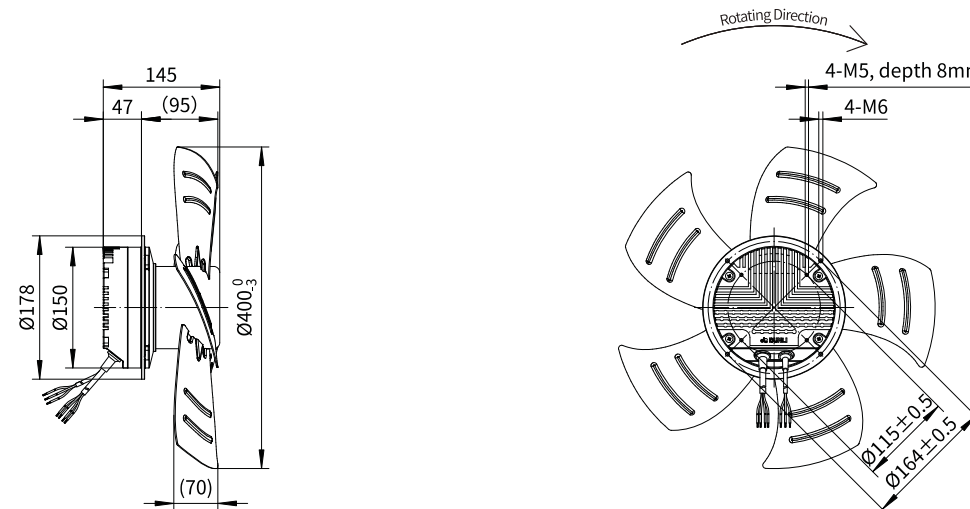


Test Point	Speed	Input Power
	rpm	W
1	1601	312
2	1500	300
3	1455	290
4	1281	160
5	1283	195
6	1285	215
7	958	77
8	961	87
9	962	89
10	663	36
11	666	41
12	666	47

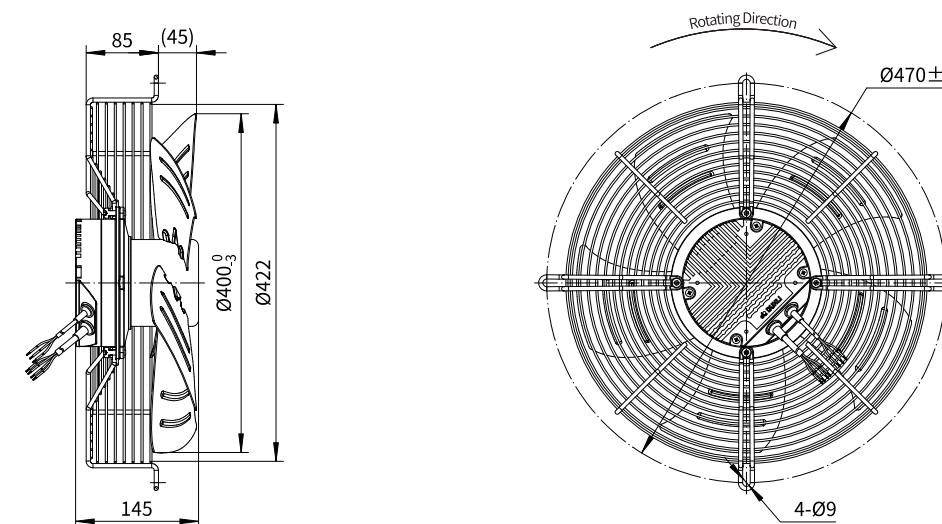
Erp2015 Data:  
Efficiency  $\eta_{statA}$  = 38.6%  
Efficiency grade  $N_{actual}$  = 48.4,  $N_{target}$  = 40  
Test report No. : L-20210302-004-044

Model No.	Voltage	Frequency	Speed	Input Power	Current	Working Temp.	Approvals
	VAC	Hz	RPM	W	A	Min/Max (°C)	
EC102-A400-010	1~220/230	50/60	1600	320	1.55	-20/+60	CCC,CE

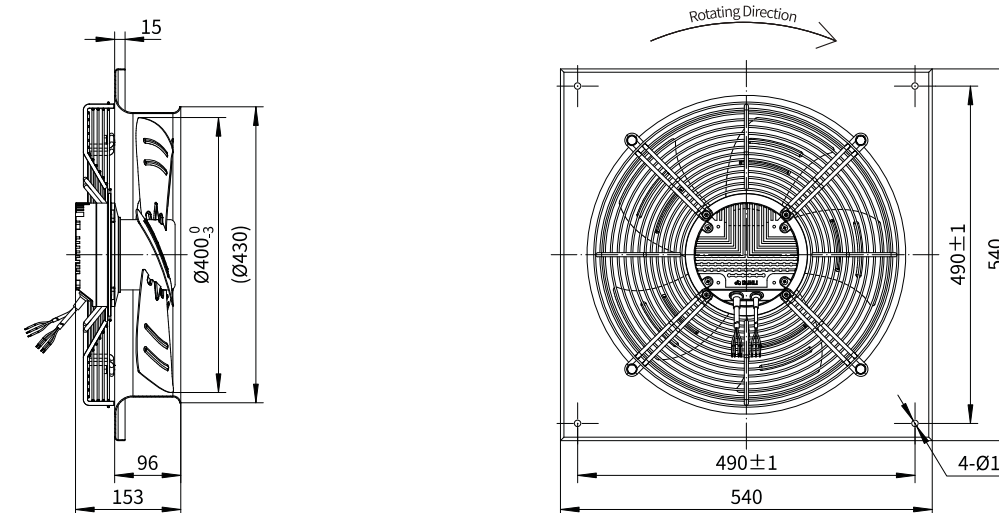
**Type A**



**Type D**



**Type F**



Conventional Steel Blade Axial