



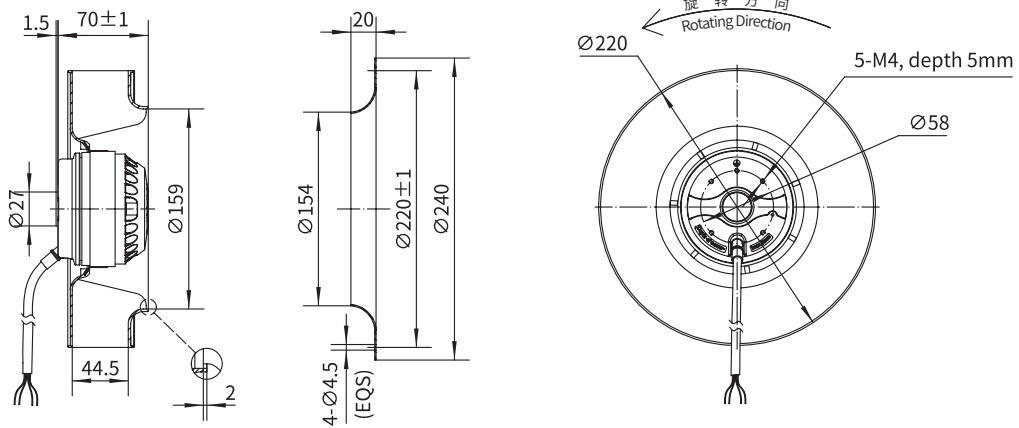
常规塑料叶轮后倾离心风机
Backward Curved Centrifugal Fan with Conventional Plastic Impeller



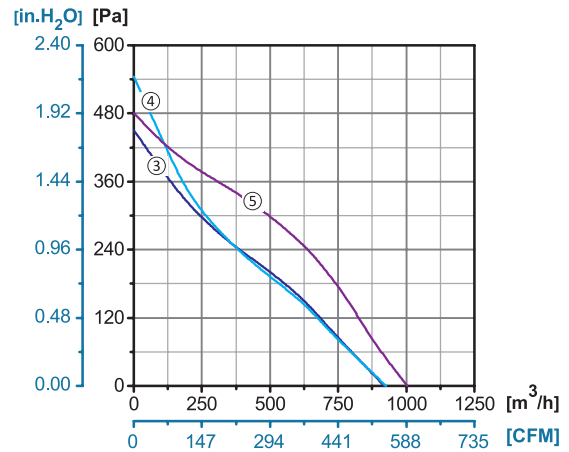
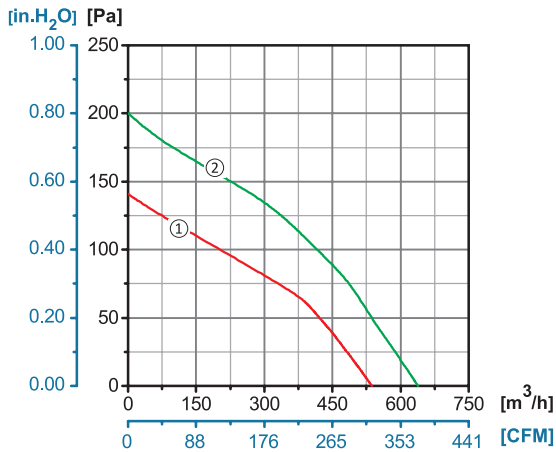
Φ 220

转子材质 Rotor Material: 铸铝 Aluminum Die-casting
 叶轮材质 Impeller Material: 塑料 Plastic
 防护等级 Ingress Protection: IP44
 绝缘等级 Insulation Class: F
 轴承类型 Bearing Type: 免维护滚珠轴承
 Maintenance Free Ball Bearing

产品尺寸图 Dimensional Drawings



性能曲线 Performance Curves



| 产品型号 Model No. | 电压 Voltage | 频率 Frequency | 电流 Current | 功率 Power | 转速 Speed | 电容 Capacitor | 风量 Air Flow (0 Pa) | 噪音 Noise | 曲线 Curve | 运行温度 Working Temp. | 认证 Approvals |
|---------------------|---------------|-----------------|---------------|-------------|-------------|-----------------|---------------------------|-------------|-------------|-----------------------|-----------------|
| | V | Hz | A | W | RPM | μF | [m ³ /h]/[CFM] | dB(A) | No. | Min/Max (°C) | |
| YWF.B2S-220-065AB2A | 110/120 | 60 | 0.94 | 110 | 2540 | 10 | 910/535 | 72 | ③ | -30/+60 | |
| YWF.B2S-220-065AB20 | 220/230 | 50 | 0.37 | 80 | 2410 | 3 | 910/535 | 70 | ③ | -30/+60 | CCC, CE |
| | 220/230 | 60 | 0.49 | 105 | 2475 | 3 | 920/540 | 71 | ④ | -30/+60 | CE |
| YWF.B4S-220-065AB20 | 220/230 | 50 | 0.26 | 43 | 1440 | 1.5 | 530/311 | 60 | ① | -30/+60 | CCC, CE |
| | 220/230 | 60 | 0.19 | 41 | 1730 | 1.5 | 630/370 | 62 | ② | -30/+60 | CE |
| YWF.B2T-220-065AB00 | 380/400 | 50 | 0.23 | 90 | 2660 | / | 1000/585 | 73 | ⑤ | -30/+60 | CCC, CE |