

EC Forward Curved Centrifugal Fan and Blower

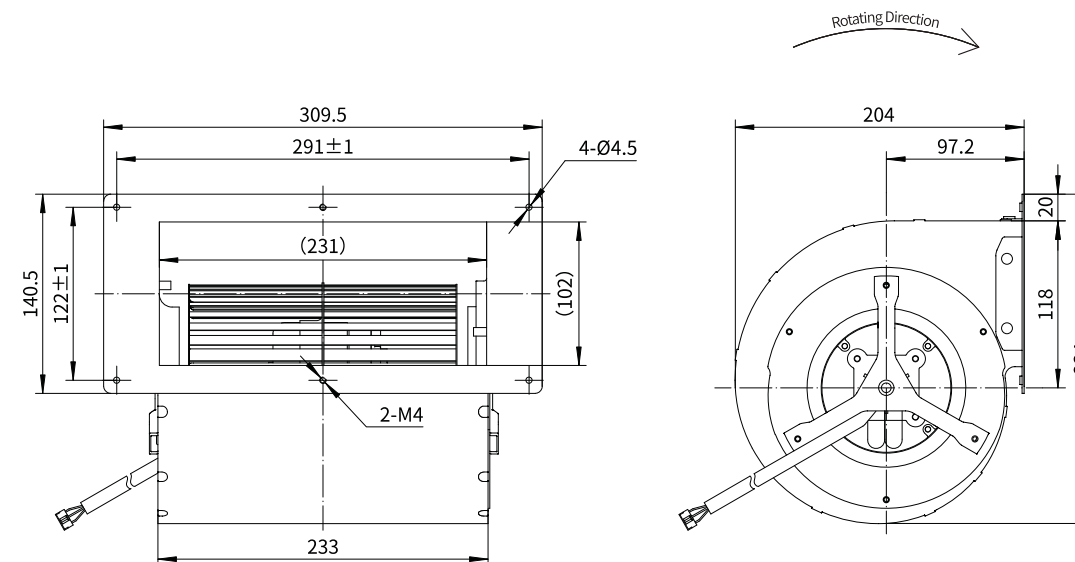
ErP2015
EXCEEDS THE NORM

Blower

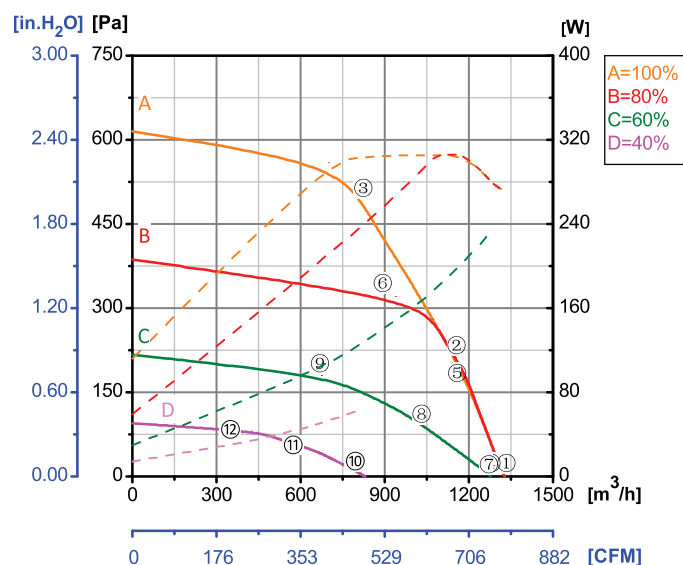


Φ 146-H (Dual-inlet)

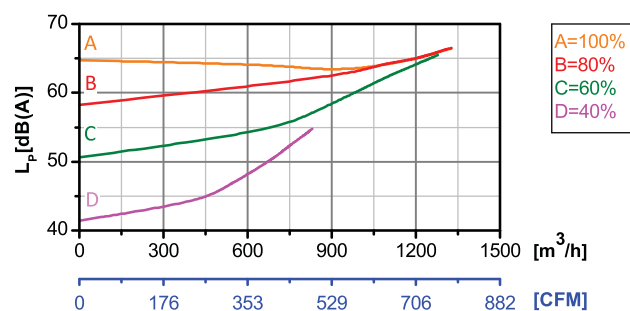
- Rotor Material: Carbon steel
- Housing Material: Carbon steel
- Impeller Material: Galvanized steel sheet
- Ingress Protection: IP44
- Insulation Class: F
- Bearing Type: Maintenance free ball bearing



Performance Curves

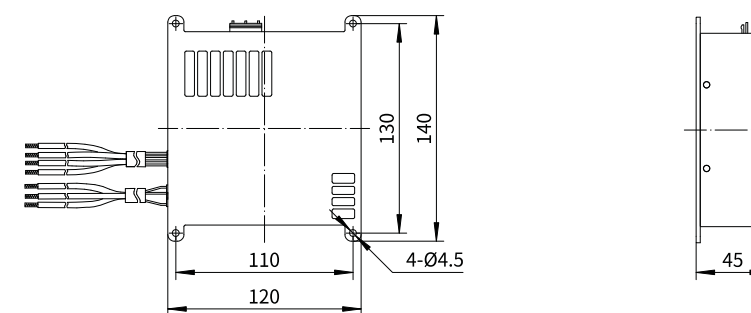


Test Point	Speed	Input Power
	rpm	W
1	1925	270
2	2340	305
3	2898	303
4	1930	270
5	2249	300
6	2477	261
7	1860	232
8	1861	168
9	1861	102
10	1246	65
11	1246	51
12	1244	39



Erp2015 Data:
 Efficiency η_{statA} = 41.1%
 Efficiency grade N_{actual} = 50.7, N_{target} = 44
 Test report No. : L-20210302 - 003 - 036

External Controller



Model No.	Voltage	Frequency	Speed	Input Power	Current	Working Temp.	APPROVALS
	VAC	Hz	RPM	W	A	Min/Max (°C)	
EC92-F146-037	1~220/230	50/60	2100	295	1.98	-20/+60	CCC,CE