



Plastic Airfoil Blade Axial Fan

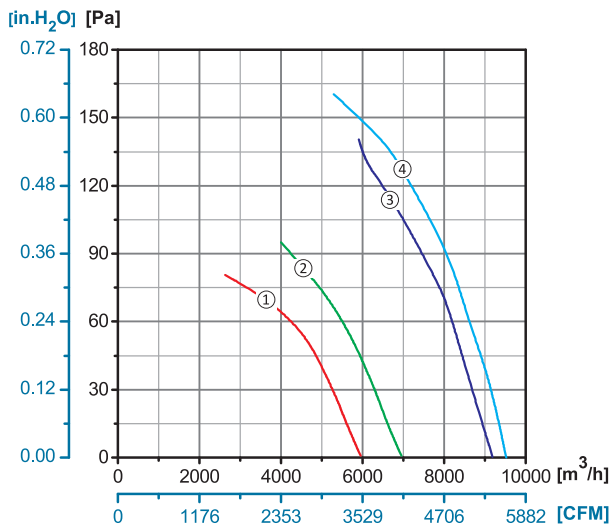
ErP2015
EXCEEDS THE NORM



Φ500

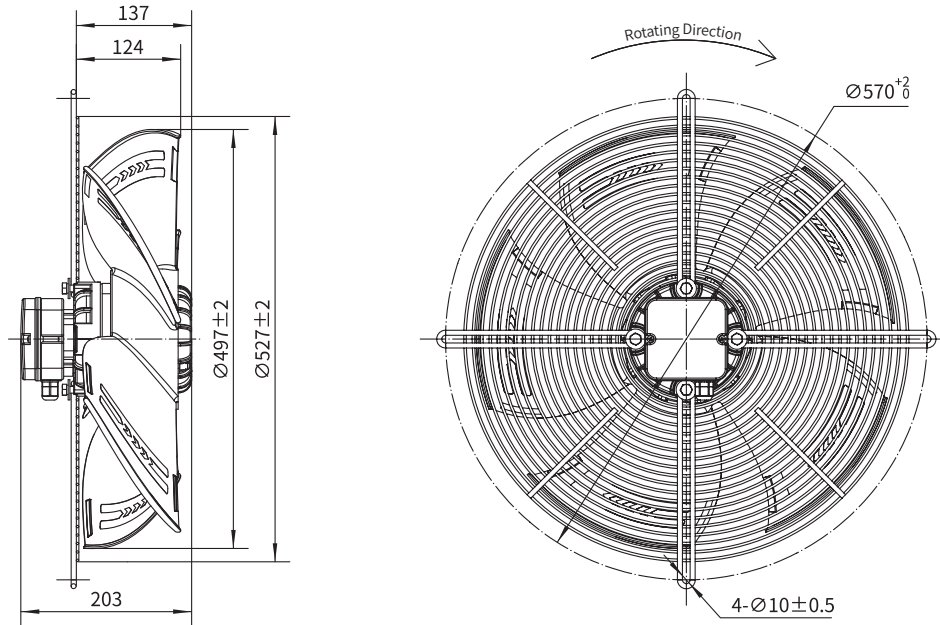
Rotor Material: Aluminum Die-casting
Impeller Material: Plastic
Ingress Protection: IP54
Insulation Class: F
Bearing Type: Maintenance Free Ball Bearing

Performance Curves

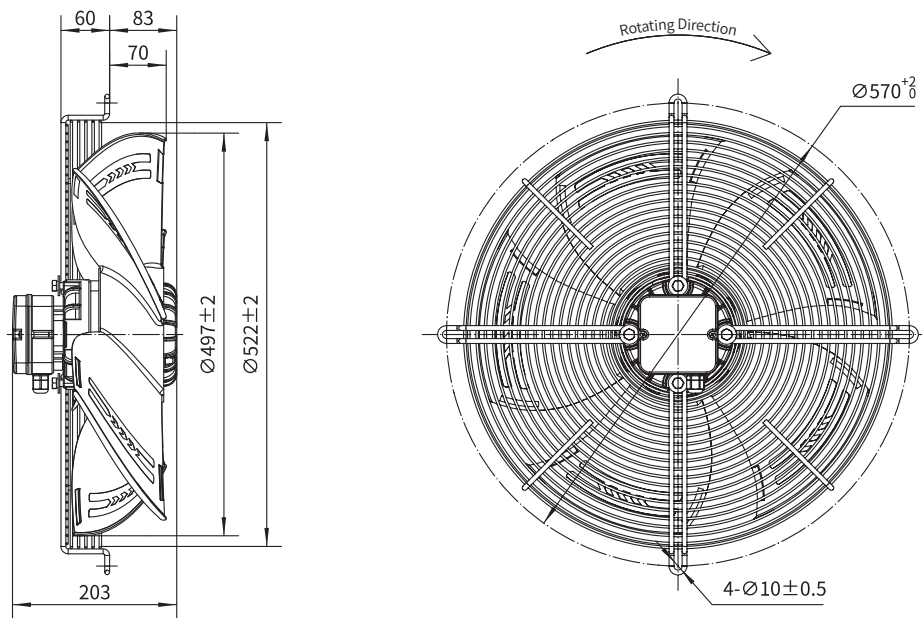



Type B	Type C	Type D	Type E	Type F0
YWF.A4S-500S-5B AP1	YWF.A4S-500S-5C AP1	YWF.A4S-500S-5D AP1	YWF.A4S-500S-5E AP1	/
YWF.A4T-500S-5B AP0	YWF.A4T-500S-5C AP0	YWF.A4T-500S-5D AP0	YWF.A4T-500S-5E AP0	/
YWF.A4T-500S-5B AP1	YWF.A4T-500S-5C AP1	YWF.A4T-500S-5D AP1	YWF.A4T-500S-5E AP1	/
YWF.A6S-500S-5B AP0	YWF.A6S-500S-5C AP0	YWF.A6S-500S-5D AP0	YWF.A6S-500S-5E AP0	/
YWF.A6T-500S-5B AP0	YWF.A6T-500S-5C AP0	YWF.A6T-500S-5D AP0	YWF.A6T-500S-5E AP0	/

Type B



Type C



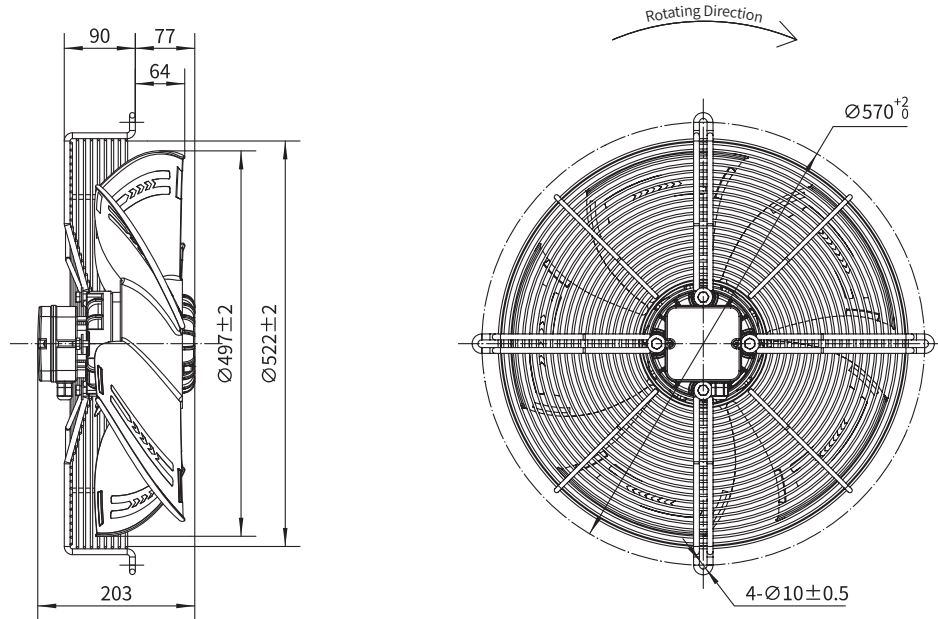
	Voltage	Frequency	Current	Power	Speed	Capacitor	Air Flow (0 Pa)	Noise	Curve	Working Temp.	Approvals
Type F1	V	Hz	A	W	RPM	μF	[m^3/h]/[CFM]	dB(A)	No.	Min/Max($^{\circ}\text{C}$)	
YWF.A4S-500S-5F AP1	380/400	50	3.26	700	1400	16	9520/5410	74	④	-30/+60	CCC, CE
YWF.A4T-500S-5F AP0	380/400	50	1.27	620	1340	/	9190/5410	73	③	-30/+60	CCC, CE
YWF.A4T-500S-5F AP1	380/400	50	1.39	650	1390	/	9190/5410	71	③	-30/+60	CCC, CE
YWF.A6S-500S-5F AP0	220/230	50	1.23	265	900	10	6000/3530	67	①	-30/+60	CCC, CE
	220/230	60	1.60	360	10000	10	7000/4120	69	②	-30/+60	CCC, CE
YWF.A6T-500S-5F AP0	380/400	50	0.99	280	940	/	5950/3500	63	①	-30/+60	CCC, CE
	380/400	60	0.89	360	1090	/	6950/4090	66	②	-30/+60	CCC, CE



Plastic Airfoil Blade Axial Fan

Φ500

Type D





Plastic Airfoil Blade Axial Fan

Φ500

Type F0

