

EC Backward Curved Centrifugal Fan with Aileron Impeller

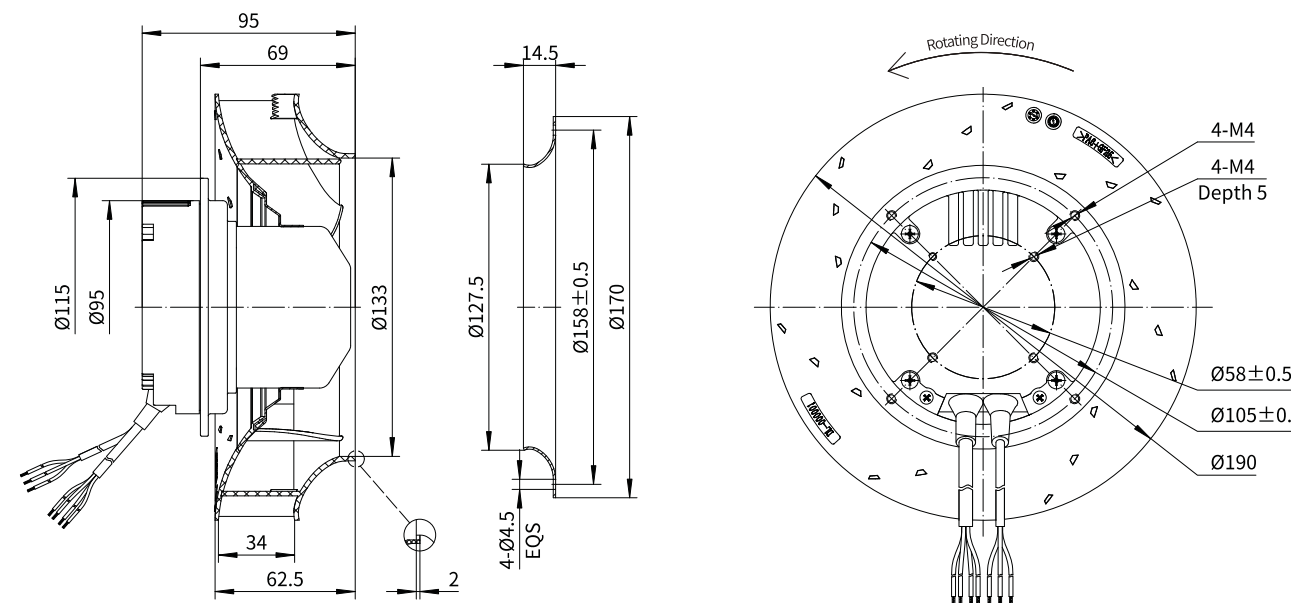
ErP2015  
EXCEEDS THE NORM

Motorized Backward Curved Impeller

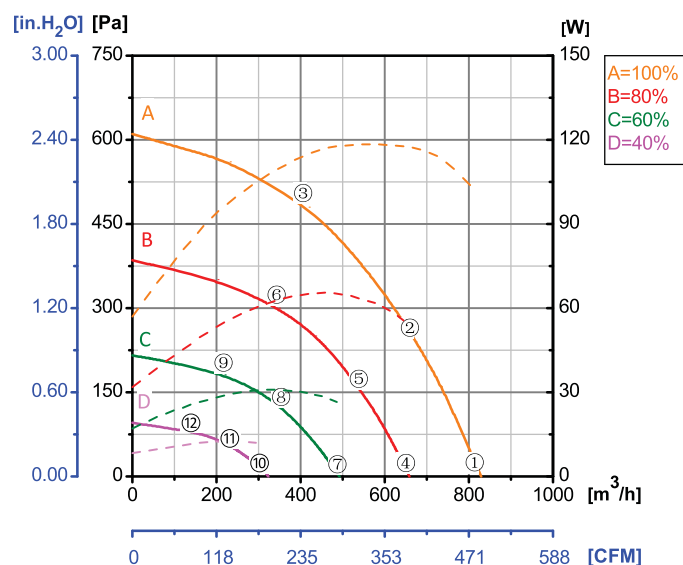


Φ 190-L

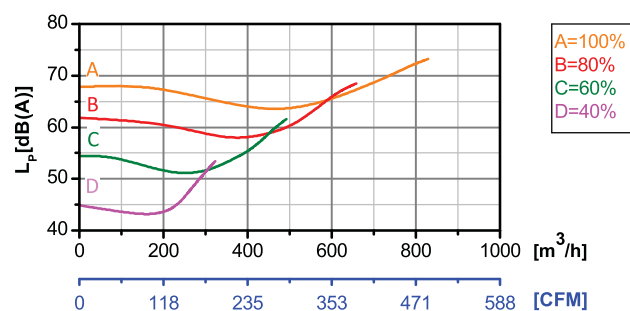
Rotor Material: Carbon steel  
Impeller Material: Plastic  
Ingress Protection: IP44  
Insulation Class: F  
Bearing Type: Maintenance free ball bearing



Performance Curves



| Test Point | Speed | Input Power |
|------------|-------|-------------|
|            | rpm   | W           |
| 1          | 3561  | 100         |
| 2          | 3535  | 117         |
| 3          | 3535  | 117         |
| 4          | 2838  | 54          |
| 5          | 2846  | 63          |
| 6          | 2839  | 64          |
| 7          | 2128  | 26          |
| 8          | 2136  | 31          |
| 9          | 2136  | 29          |
| 10         | 1419  | 11          |
| 11         | 1427  | 12          |
| 12         | 1426  | 12          |



Erp2015 Data:  
Efficiency η<sub>statA</sub>=56.4%  
Efficiency grade N<sub>actual</sub>=76.6, N<sub>target</sub>=62  
Test report No. : L-20210302-005-003

| Model No.     | Voltage   | Frequency | Speed | Input Power | Current | Working Temp. | Approvals |
|---------------|-----------|-----------|-------|-------------|---------|---------------|-----------|
|               | VAC       | Hz        | RPM   | W           | A       | Min/Max (°C)  |           |
| EC72-B190-005 | 1~220/230 | 50/60     | 3570  | 105         | 0.87    | -20/+60       | CCC,CE    |

Aileron Impeller B/C Centrifugal